

## SMD transformer for vehicle and LAN transformer



### FEATURES

- Compatible with various 10/100 Base-TX transceiver requiring 1:1 transmit and 1:1 receive turns ratio.
- Qualification: PER AEC-Q200
- Operating Temperature Range: -40~+105C °
- Storage Temperature Range: -50~+125C °
- Hi-Pot: 1500 VDC 1 mA, 60 sec



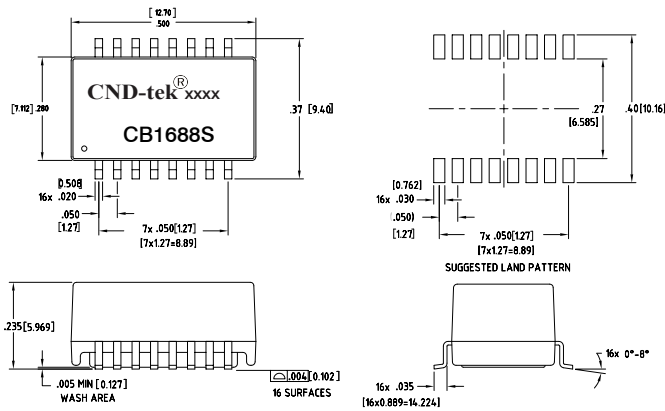
## Series/Type: **CB1688S**

### ELECTRICAL SPECIFICATIONS @25°C

OCL	DCR (Ω)	Turns Ratio	Insertion Loss		Return Loss		Cross Talk		CMMR
			@ 1-100MHz	@ 125MHz	@ 5MHz	@ 30-80MHz	@ 1MHz	@ 5-100MHz	
350uH Min	0.50Ω max	1CT:1CT	-1.0dB Max	-3.0dB Max	-18dB Min	-16+26log10 (f/30 MHz) dB Min	-62dB Min	-45+21log10 (f/30 MHz) dB Min	-50+17log10 (f/5 MHz) dB Min

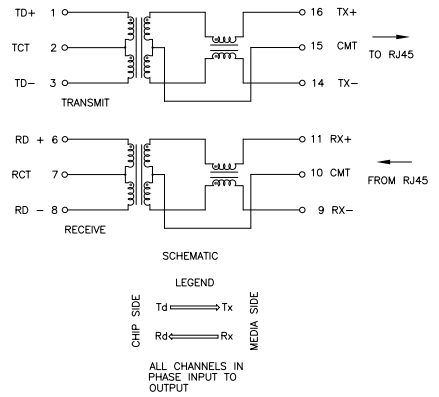
\*Testing Conditions: 100KHz 0.1V

### DIMENSIONS & MARKING



DIMENSIONS ARE IN INCHES WITH THE FOLLOWING TOLERANCES:  
 .XXX = ±.01  
 .XXX = ±.005  
 SQUARE BRACKETS DIMENSION: mm

### SCHEMATICS



### Packaging Specifications

