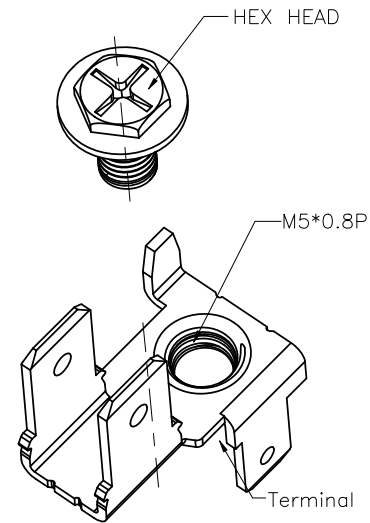
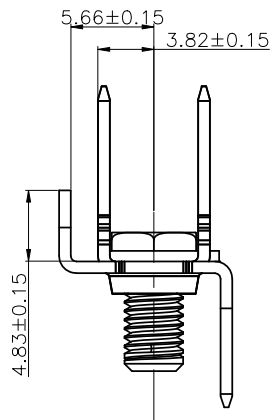
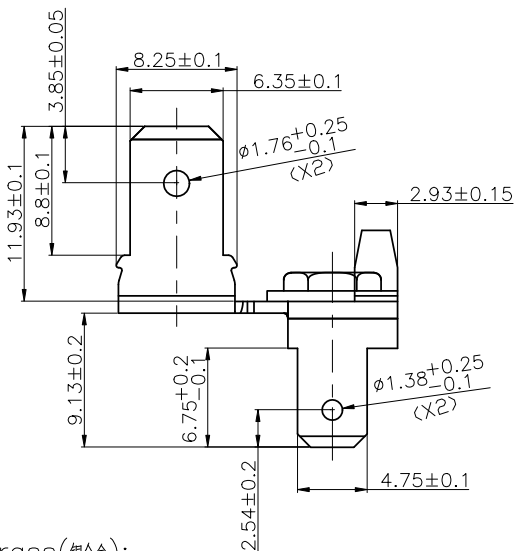
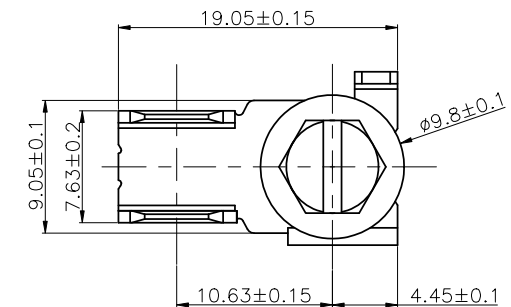


REV	DESCRIPTION	DESIGN	APPROVAL	DATE
A0	Initial version	Ray	Jerry	2024.04.06



Notes:

- 1.Material/材质: Brass(铜合金);
- 2.Finish/表面处理:See table/见表
- 3.Contact surface should not have burrs,
Other areas burr 0.10mm Max.
端子接触面不能有毛刺,其他区域毛刺不能超过0.10mm
- 4.RoHS Compliance(符合RoHS).
- 5.Order information 编码原则:935-635-X001

└ See table-1/见表-1

Part number	Material (terminal)	Material (HEX HEAD)	Finish (terminal)	Finish (HEX HEAD)
935-635-0001	Brass	Brass	electroless	electroless
935-635-8001	Brass	Brass	electroless	nickel

X. ± 0.15	X. ° ± 1°	 Guangdong JiDe Precision Electronics Co.,Ltd 广东济德精密电子有限公司	TITLE: TAB TERMINAL		PART NO. 935-635-X001			
.X ± 0.10	.X° ± 0.5°							
.XX ± 0.05	.XX° ± /		APPD:		DWG NO: C-935-635-X001			
.XXX ± 0.02	.XXX° ± /							
UNITS:	mm		The information in this document is property of JiDC company and should not be copied or reproduced in any other way, without written permission.					
CHKD:		SCALE					SHEET	REV.
DRAW:		1:1					1/1	A0