

REV	DESCRIPTION	DESIGN	APPROVAL	DATE
A0	NEW VERSION	Colinye	Jerry	

NOTES:

- Material/材质:  
Housing/主体: See Table-1/见表-1;  
Color/颜色: See Table-1/见表-1;
- The surface of the product shall be free of excessive plastic, lack of plastic, mottle, etc  
产品表面不能有多胶、缺胶、杂色等现象;
- Harmful material please follow RoHS  
产品需符合RoHS标准;
- Applicable Terminal/适配端子922-063-X01X;
- Order Information/编码原则: 951-041X-00X

See table-1/见表-1  
See table-1/见表-1

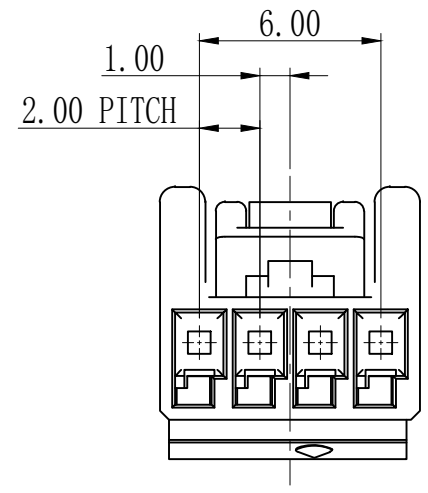
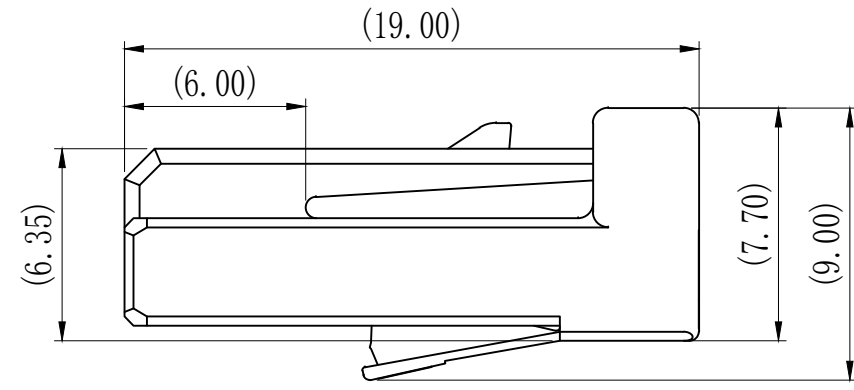
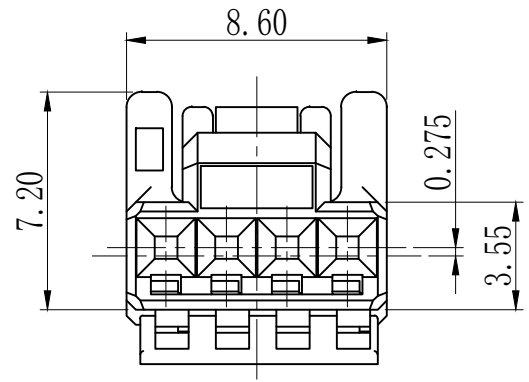
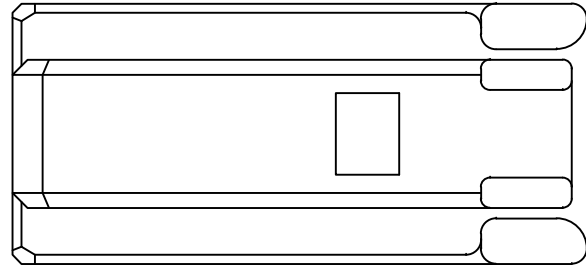

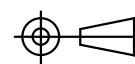


table-1

NO	P/N	Material/材质	Color/颜色	X. ± 0.50	X. ° ± 5°	 Guangdong JiDe Precision Electronics Co., Ltd 广东济德精密电子有限公司	TITLE: 2.0mm PITCH 04PIN FEMALE HOUSING PART NO. 951-041X-00X DWG NO: C-951-041X-00X SCALE: 4:1 SHEET: 1/1 REV: A0		
				.X ± 0.35	.X ° ± 3°				
				.XX ± 0.20	.XX ° ± /				
				.XXX ± 0.20	.XXX ° ± /				
				UNITS:	mm				
1	951-0412-001	PBT UL94 V-0	Black/黑色	The information in this document is property of JiDC company and should not be copied or reproduced in any other way, without written permission.					
2	951-0415-002	PBT UL94 V-0	Gray/灰色						
3	951-0417-001	PBT UL94 V-0	Natural/本色						
4	951-0419-001	PBT UL94 V-0	Blue/蓝色						