

QT-Brightek High Power Series

1.0 W High Power IR LED

Part No.: QBHP684-IR1XU

U = 350mA

1 = 940nm

X = Viewing Angle (X=A:60° ; X=B:120°)

Table of Contents:

Introduction	3
Electrical / Optical Characteristic (Ta=25 °C)	4
Absolute Maximum Rating	4
Characteristic Curves.....	5
IR Reflow Soldering Profile	6
Packing	7
Labeling	8
Ordering Information	8
Revision History	9
Disclaimer	9

Introduction

Feature:

- 1W High Bright IR LED
- Packed in tape and reel
- High radiant power output
- Viewing Angle 60° typ. (QBHP684-IR1AU)
- Viewing Angle 120° typ. (QBHP684-IR1BU)
- Isolated Heat Slug

Description:

This 1W high power IR LED has compact size of 3.5 x 3.5mm. It is ideal for both infrared sensing applications.

Application:

- Data transmission
- Sensing
- Remote control

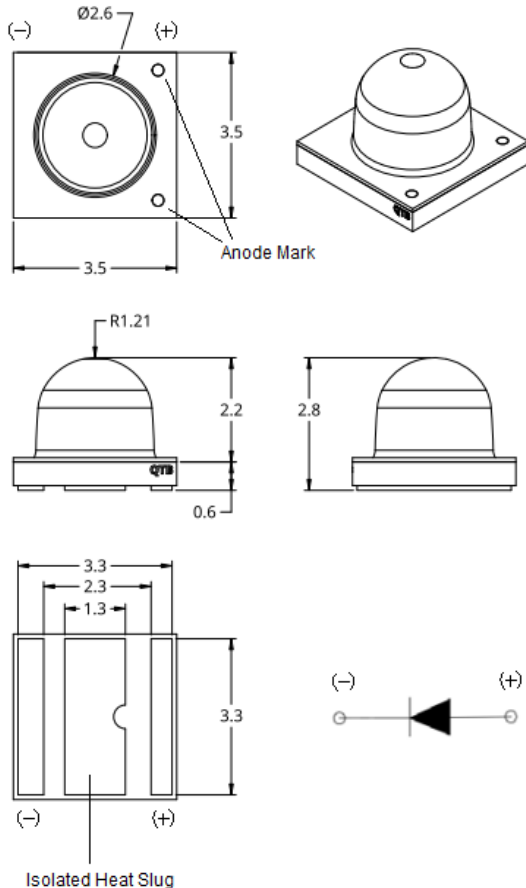
Certification & Compliance:

- ISO9001
- RoHS Compliant

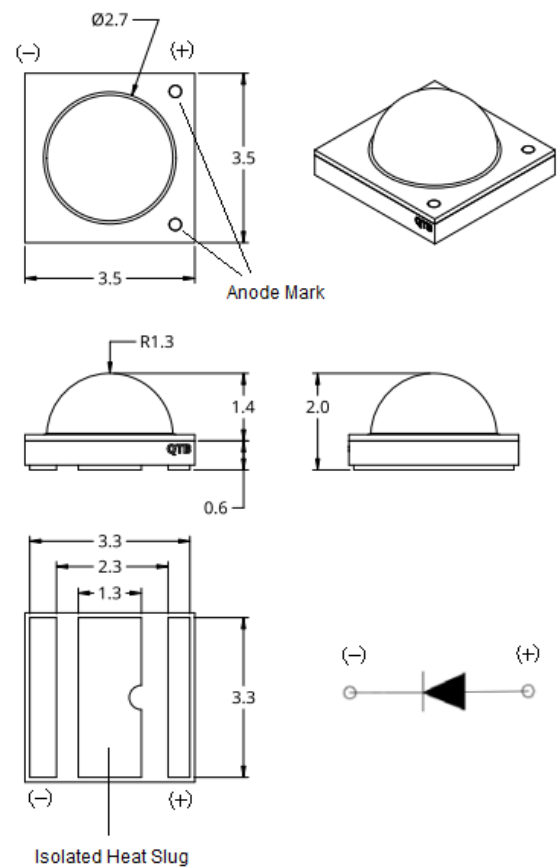


Outline Dimensions:

60°



120°



Units: mm / tolerance = +/-0.2mm

Electrical / Optical Characteristic (Ta=25 °C)

Product Number	Color	I _F (mA)	V _F (V)			λ _p (nm)			P _O (mW)	
			Min.	Typ.	Max.	Min.	Typ.	Max.	Min.	Typ.
QBHP684-IR1AU	Infrared	350	1.3	1.7	2.2	930	940	950	100	200
QBHP684-IR1BU										

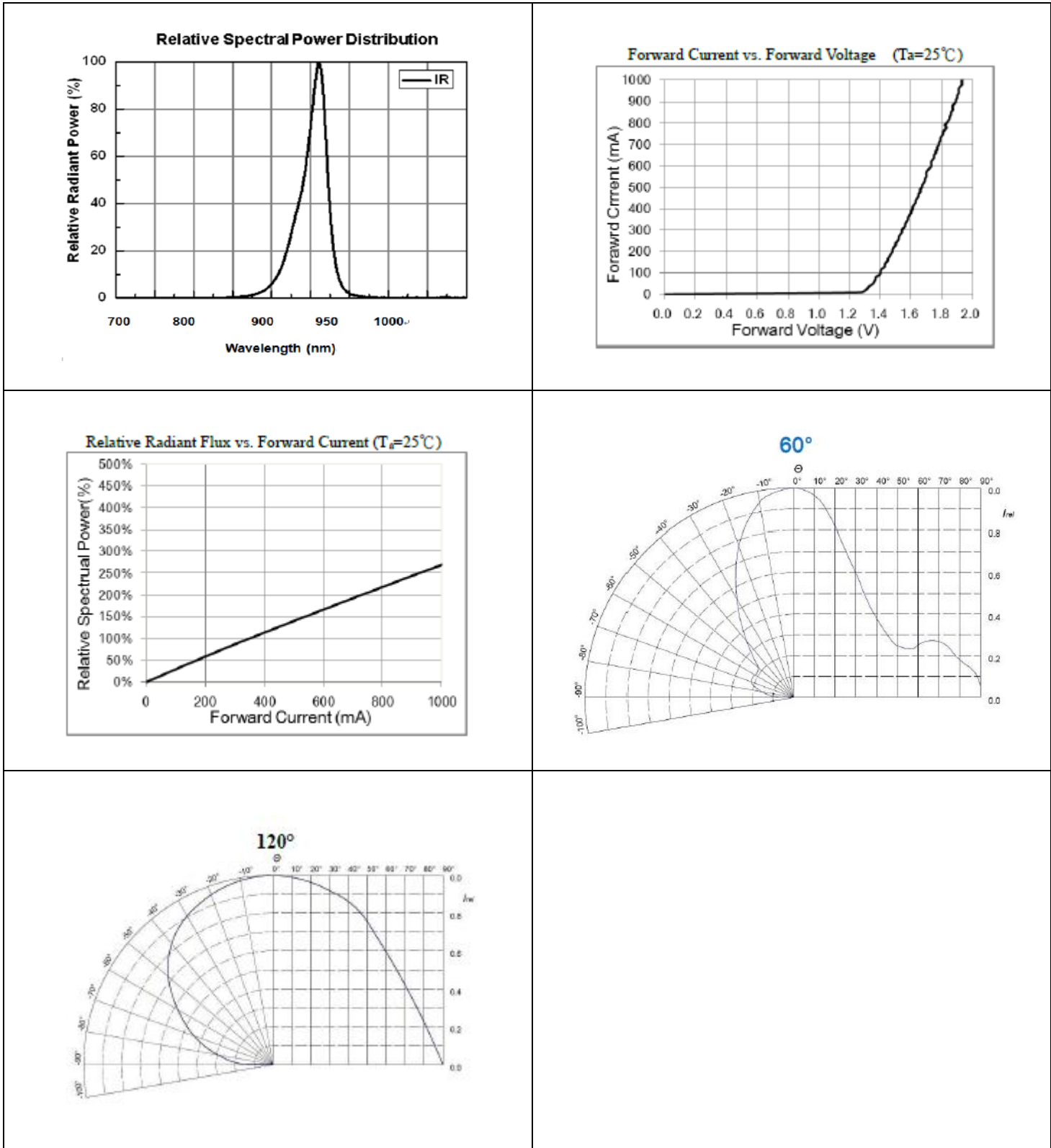
Absolute Maximum Rating

P _d (W)	I _F (mA)	I _{FP} (mA)	V _R (V)	T _{OP} (°C)	T _{ST} (°C)	T _{SOL} (°C)
1.68	700	1000	5	-40 to +85	-40 to +100	260

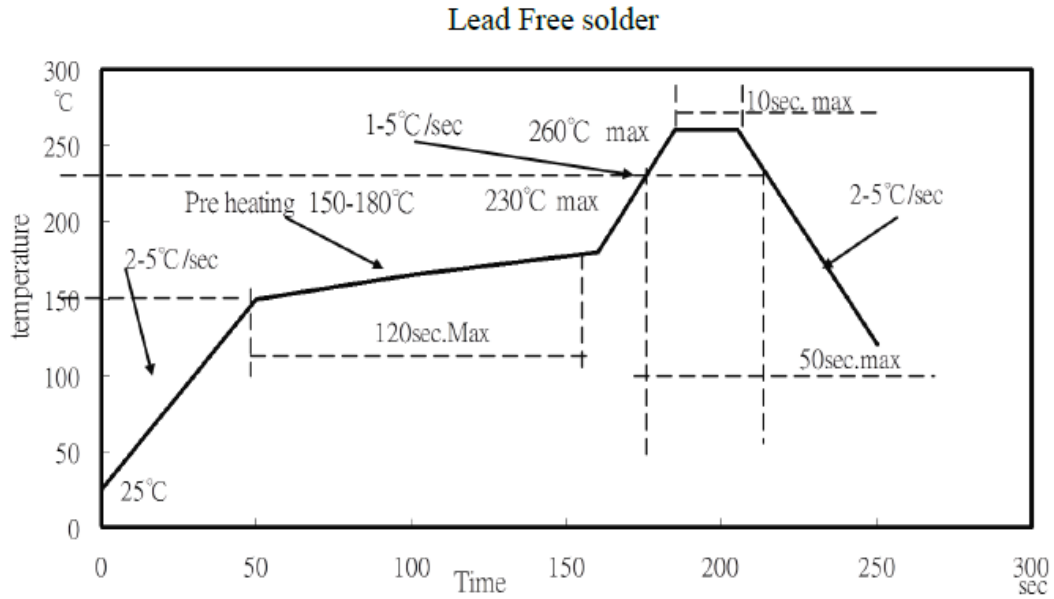
Radiometric Power P_O @ I_F=350mA

Bin	Min.	Max.	Unit
P10	100	150	mW
P15	150	200	
P25	200	250	

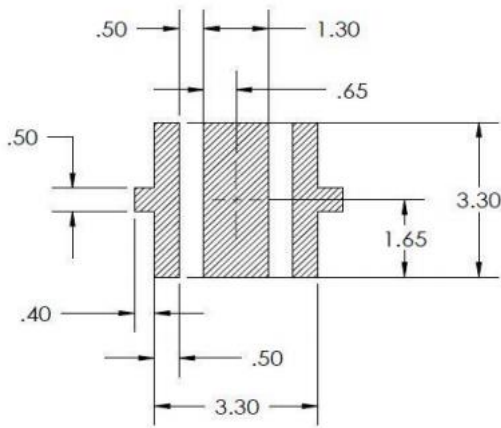
Characteristic Curves



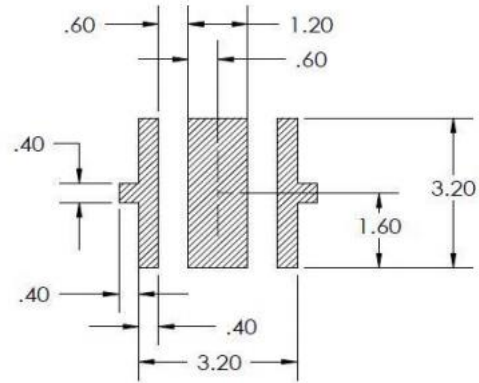
IR Reflow Soldering Profile



Recommended Soldering Pad:



RECOMMENDED PCB SOLDER PAD

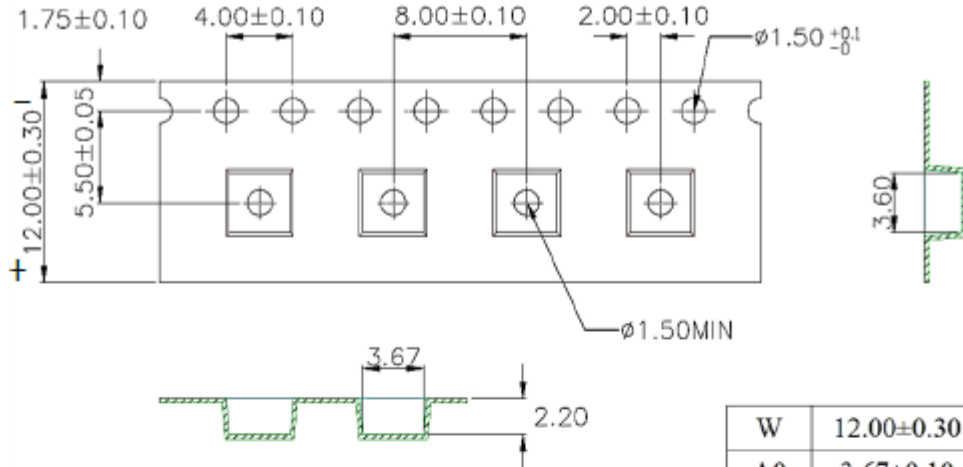


RECOMMENDED STENCIL PATTERN
(HATCHED AREA IS OPENING)

Unit: mm

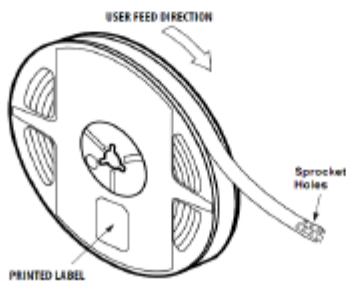
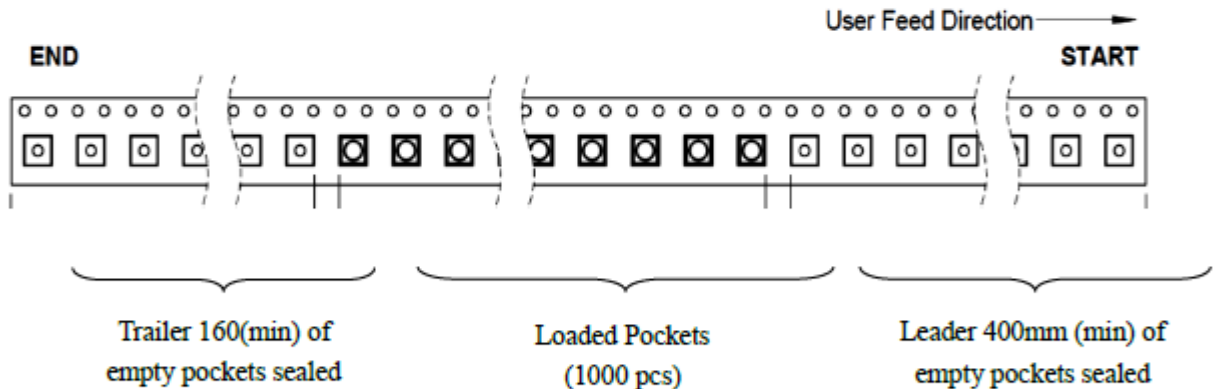
Packing

Tape and Reel:



1. 10 sprocket hole pitch cumulative tolerance ± 0.20 .
2. Carrier camber is within 1 mm in 250 mm.
3. Material : Black Conductive Polystyrene Alloy.
4. All dimensions meet EIA-481-D requirements.
5. Thickness : 0.30 ± 0.05 mm.

W	12.00±0.30
A0	3.67±0.10
B0	3.60±0.10
K0	2.20±0.10



Unit: mm

Labeling

Part No: _____

Customer P/N: _____

Item: _____

Q'ty: _____

Vf: _____

Iv: _____

WI: _____

Date: _____

Made in Taiwan**Ordering Information**

Part #	Orderable Part #	Spec Range	Quantity per reel
QBHP684-IR1AU	QBHP684-IR1AU	P _o =200mW typ., λ _p =940nm typ. @ I _F =350mA, V _A =60°	500
QBHP684-IR1BU	QBHP684-IR1BU	P _o =200mW typ., λ _p =940nm typ. @ I _F =350mA, V _A =120°	1000

Revision History

Description:	Revision #	Revision Date
New Release of QBHP684-IR1XU	V1.0	03/24/2016
Update drawing dimension	V1.1	09/08/2016
Update the drawing in the outline dimensions section	V1.2	09/07/2022



Disclaimer

QT-BRIGHTEK reserves the right to make changes without further notice to any products herein to improve reliability, function or design. QT-BRIGHTEK does not assume any liability arising out of the application or use of any product or circuit described herein; neither does it convey any license under its patent rights, nor the rights of others.

Life Support Policy

QT-BRIGHTEK's products are not authorized for use as critical components in life support devices or systems without the express written approval of QT-BRIGHTEK. As used herein:

1. Life support devices or systems are devices or systems which, (a) are intended for surgical implant into the body, or (b) support or sustain life, and (c) whose failure to perform when properly used in accordance with instructions for use provided in the labeling, can be reasonably expected to result in a significant injury of the user.
2. A critical component in any component of a life support device or system whose failure to perform can be reasonably expected to cause the failure of the life support device or system, or to affect its safety or effectiveness.